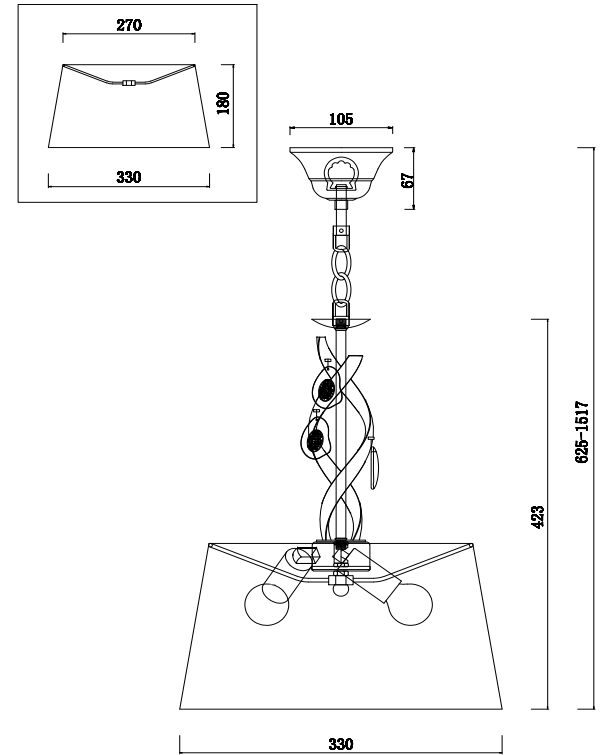
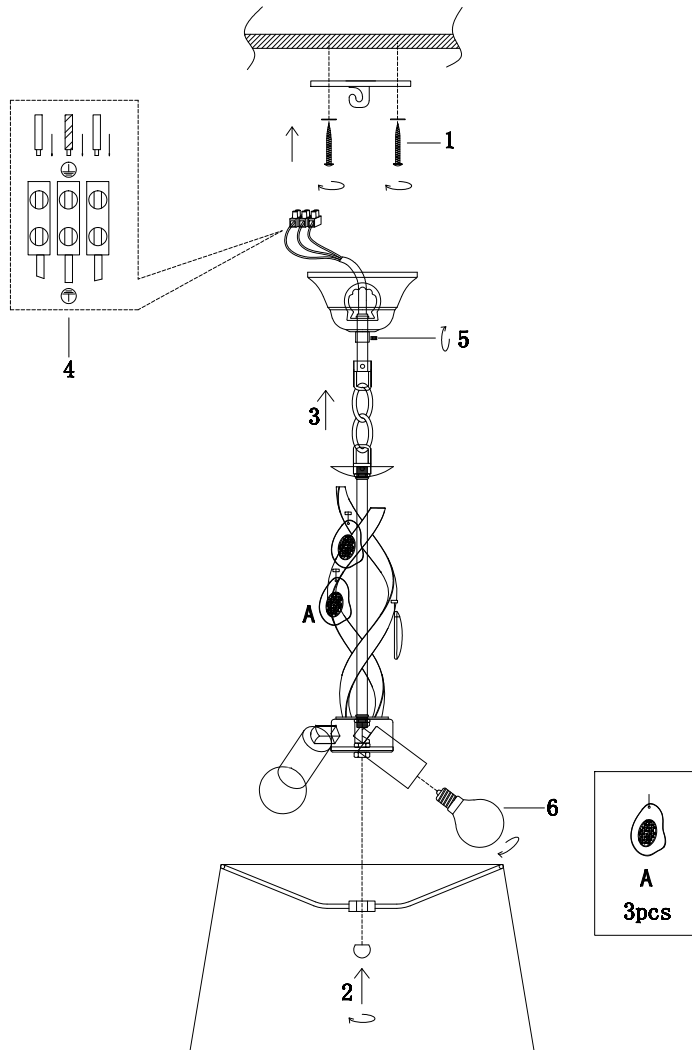




**FREYA**  
TRADITION OF QUALITY

# Instruction

FR2001PL-03G



3 x E14 (40W)

Model: FR2001PL-03G  
Collection: Classic  
Series: Monique



Pendant Lamps