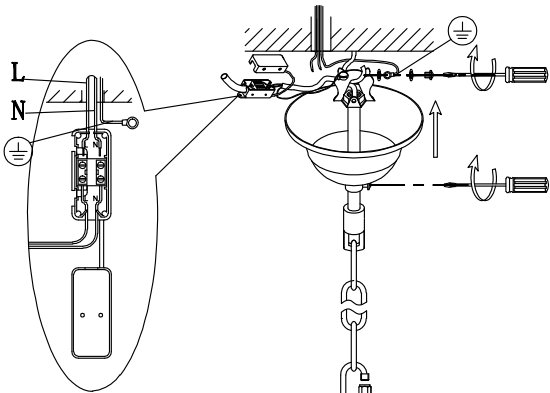
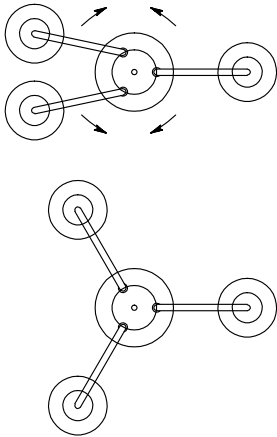
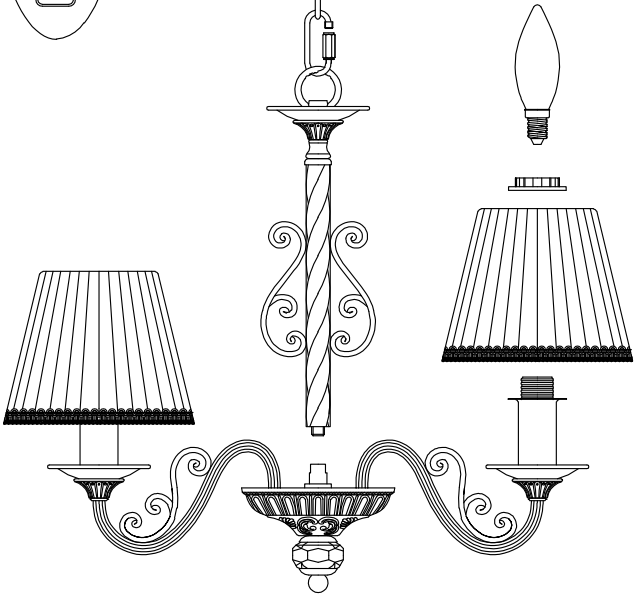



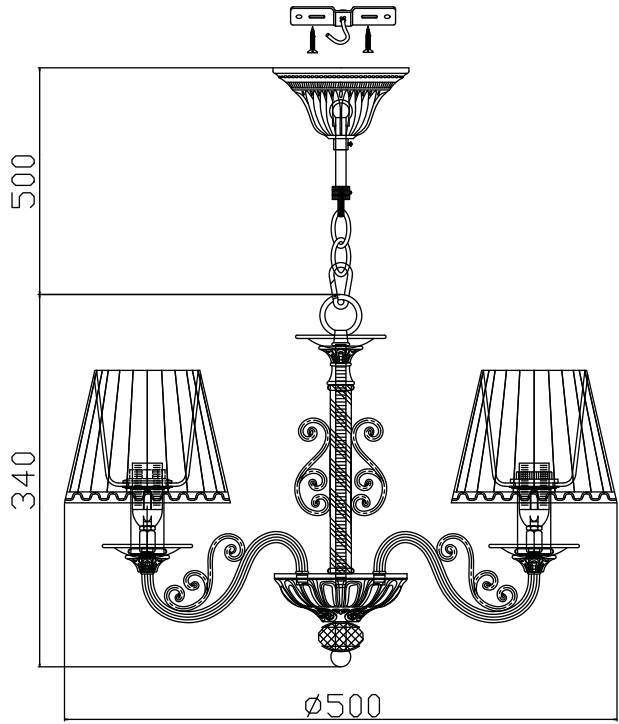
# Instruction




Collection: Elegant  
Series: Sunrise  
Model: ARM290-03-W  
Suspended



 – Suspended



  
3 x E14 (40w)

**MAYTONI**  
DECORATIVE LIGHTING

[www.maytoni.de](http://www.maytoni.de)