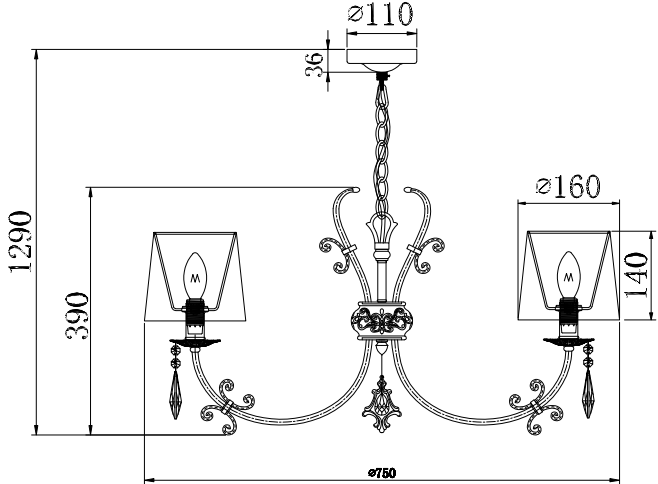
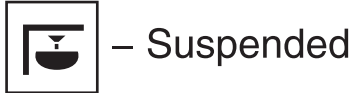
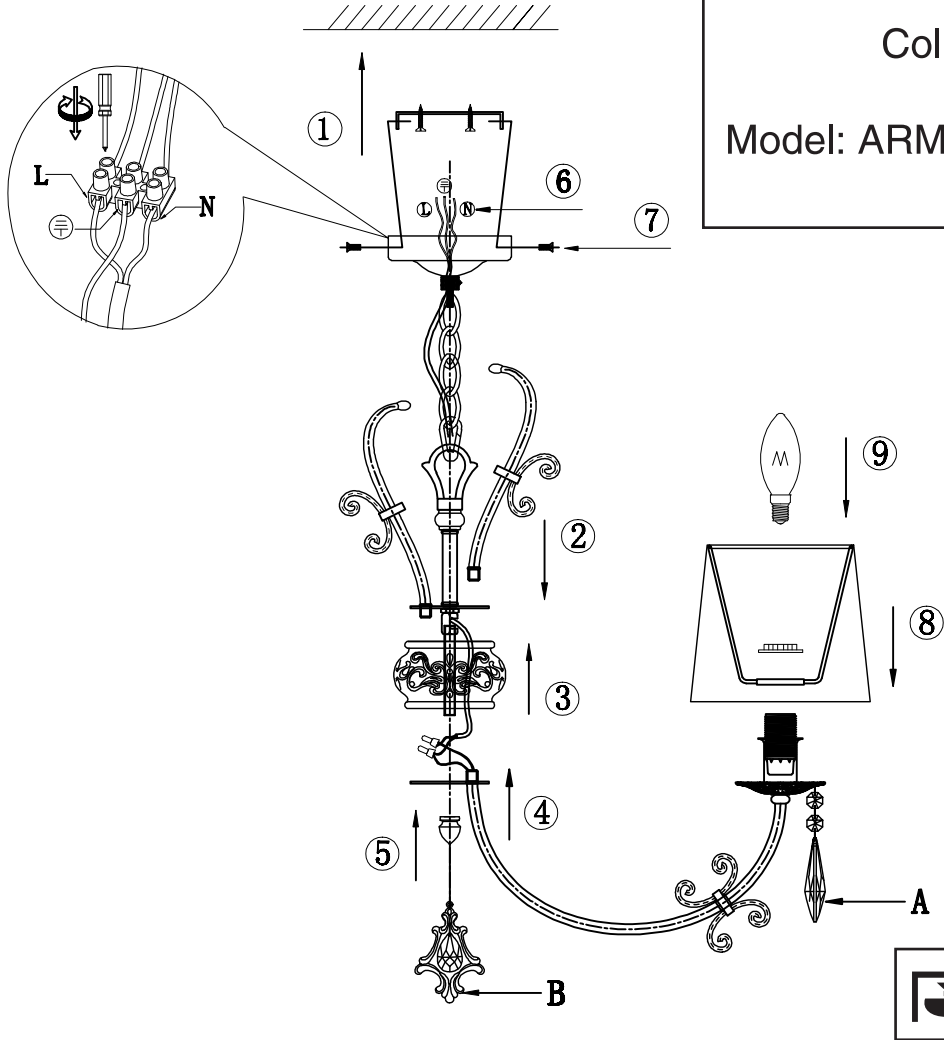



# Instruction

Collection: Elegant  
 Series: Emilia  
 Model: ARM737-PL-07-W  
 Suspended

A=7  
 B=1



  
 7 x E14 (40w)

**MAYTONI**  
 DECORATIVE LIGHTING

[www.maytoni.de](http://www.maytoni.de)