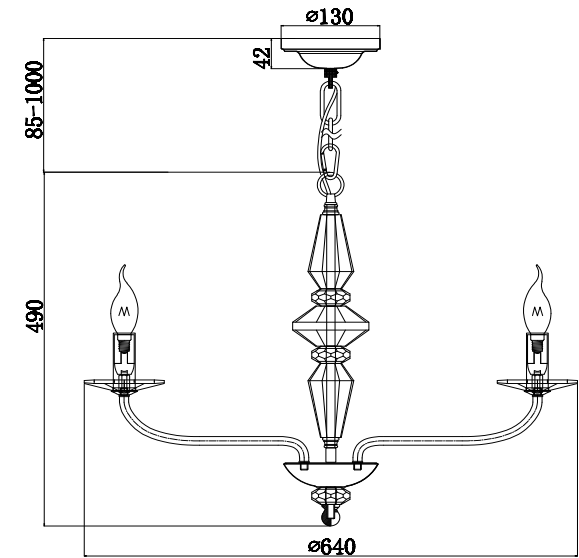
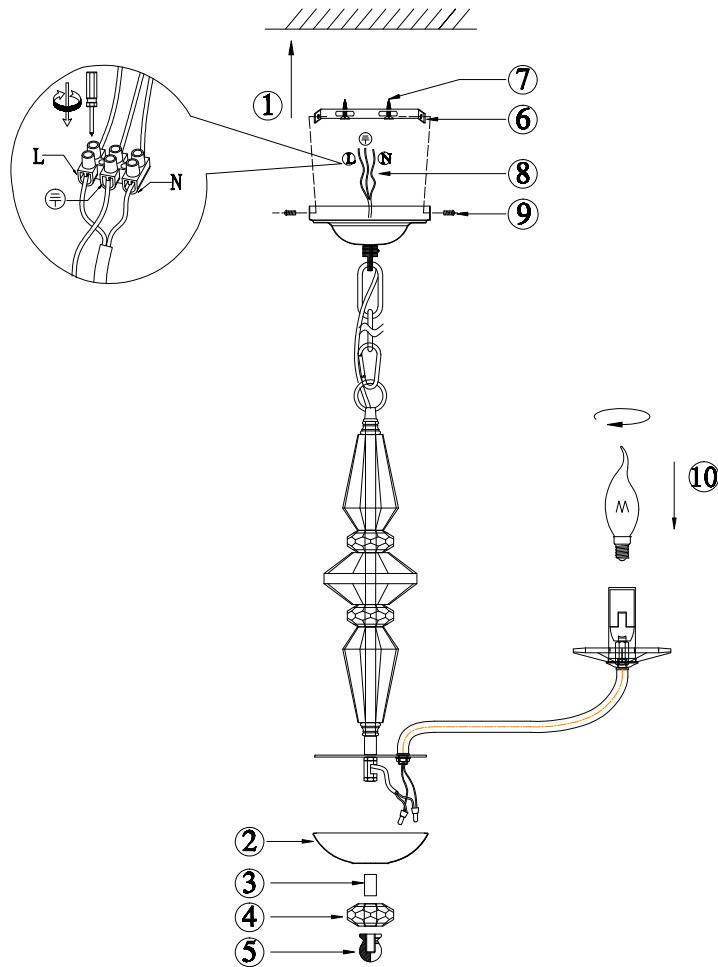


Instruction

DIA091CL-06BZ



6 x E14 (60W)

Model: DIA091CL-06BZ
Collection: Diamant Crystal
Series: Monte Carlo



Ceiling Lamps