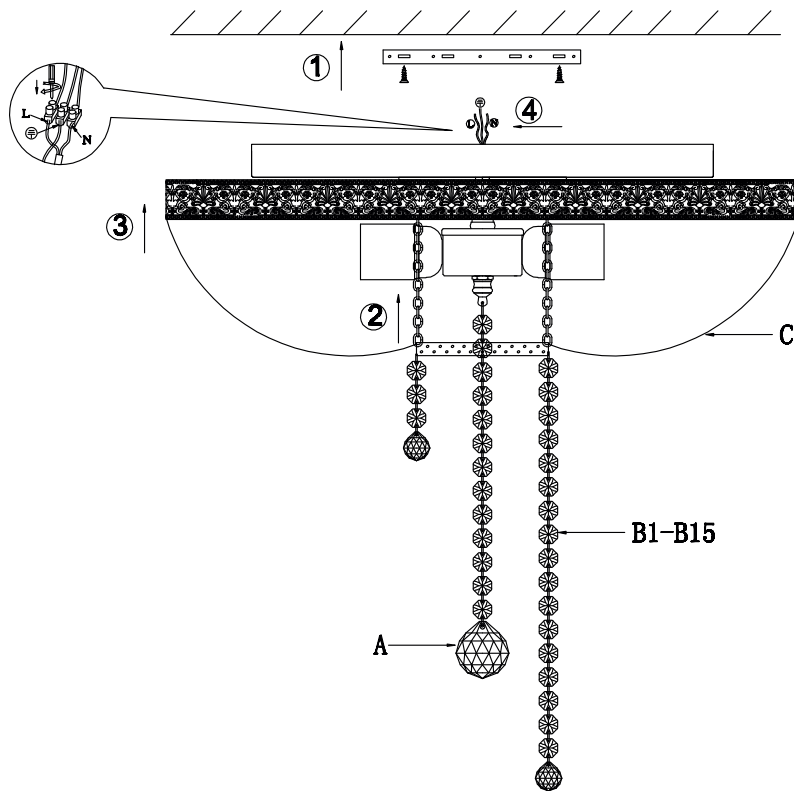
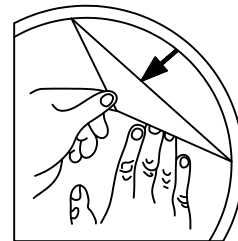


Instruction

Collection: Diamant Crystal
Series: Twister
Model: DIA523-CL-06-G
Ceiling



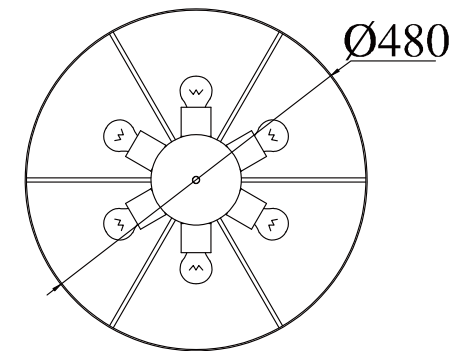
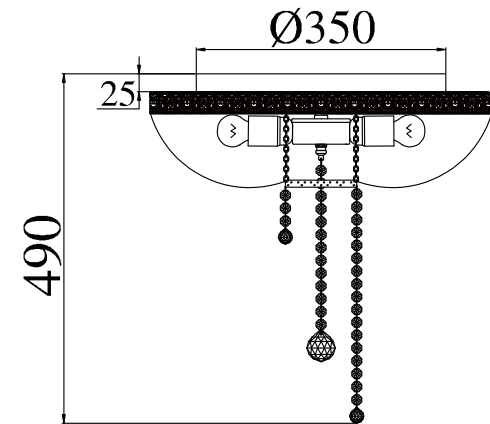
A=1
B1-B15=15
C=24



REMOVE COVER
BEFORE USING LAMP



– Suspended



6 x E27 (60w)

MAYTONI
DECORATIVE LIGHTING

www.maytoni.de