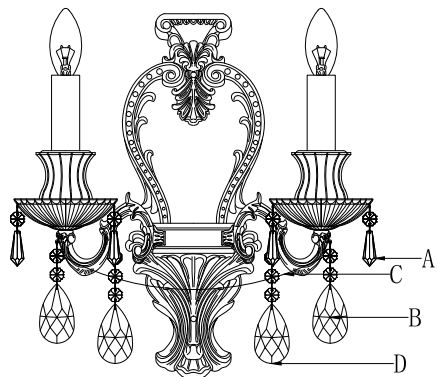
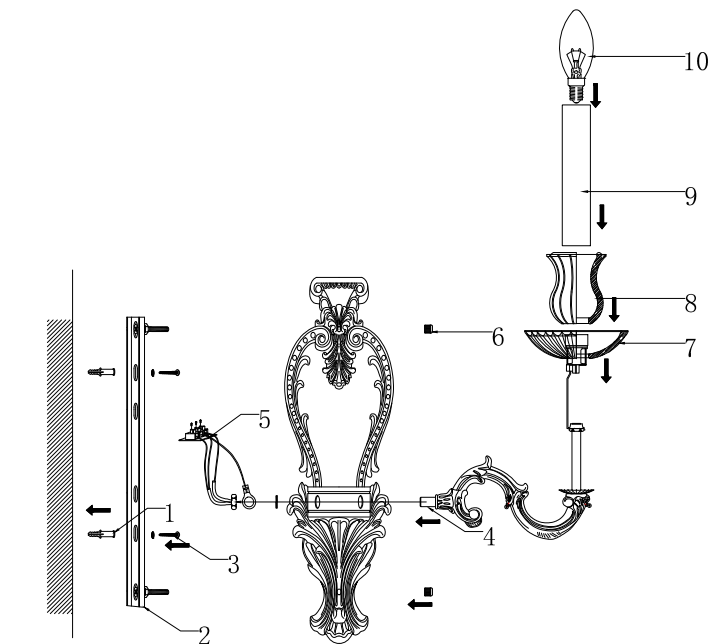
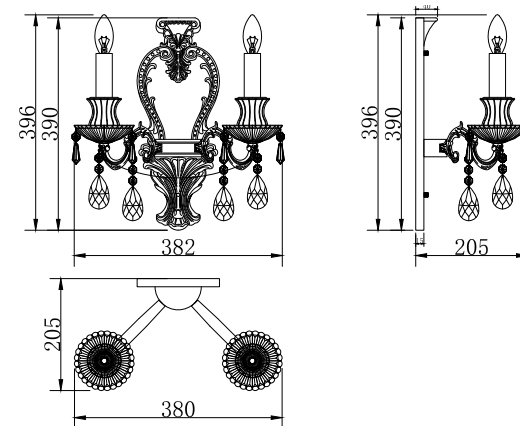


# Instruction

DIA890-WL-02-G



- A=8
- B=2
- C=1
- D=2



2 x E14 (40W)

Model: DIA890-WL-02-G  
Collection: Royal Classic



Wall Lamps