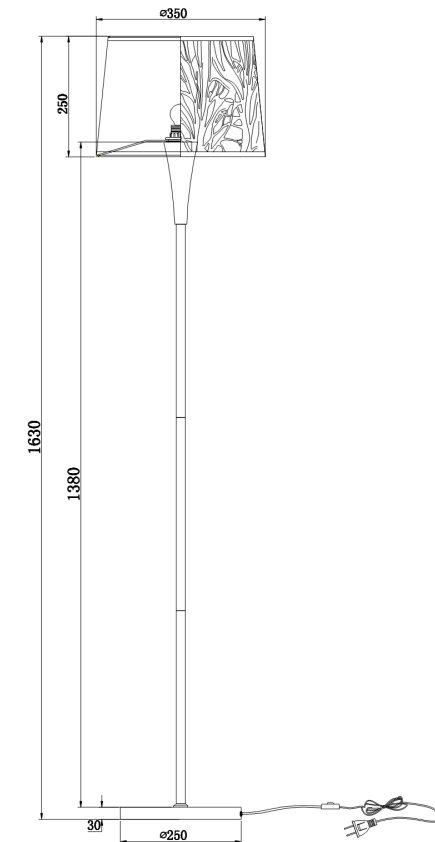
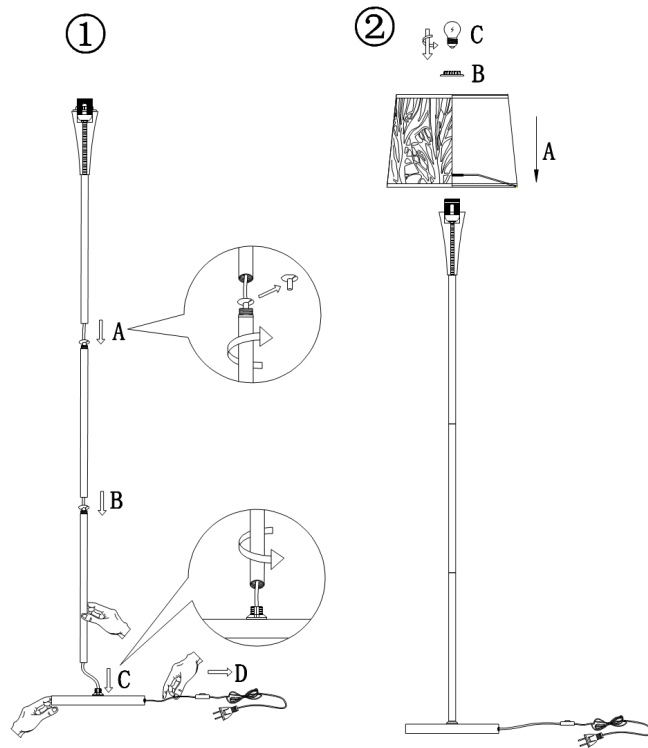


Instruction

Collection: MODERN
Series: LANTERN
Model: F029-FL-01-W
Mobile



- Mobile



1 x E27 (40W)

MAYTONI
DECORATIVE LIGHTING

www.maytoni.de