

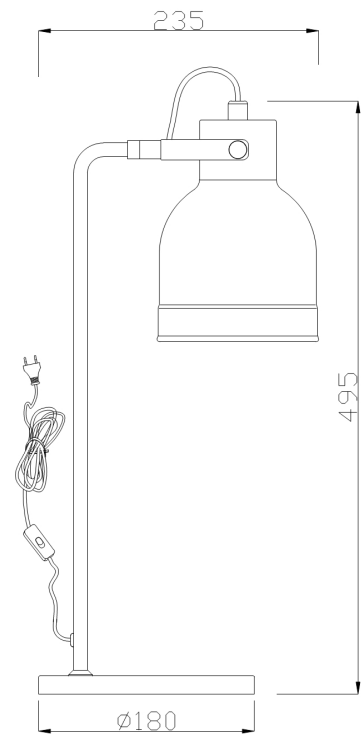
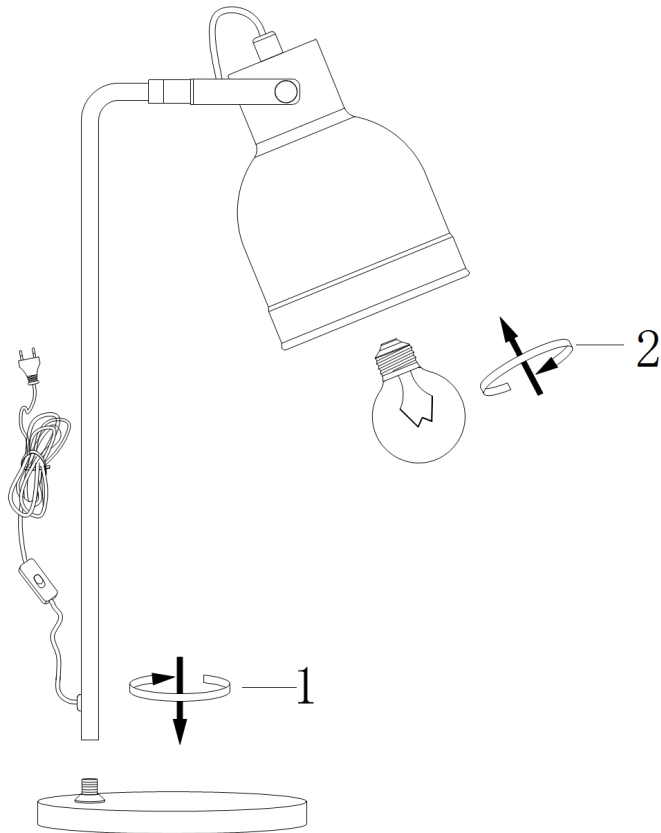
# Instruction

Collection: TABLE & FLOOR

Series: PIXAR

Model: MOD148-01-E

Mobile



- Mobile



1 x E27 (40W)

**MAYTONI**  
DECORATIVE LIGHTING

[www.maytoni.de](http://www.maytoni.de)