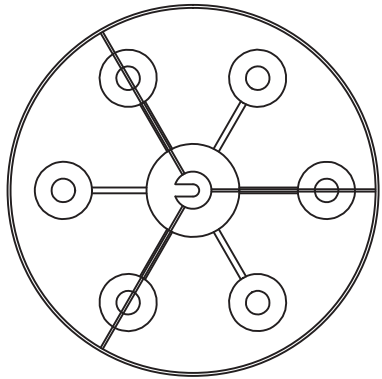
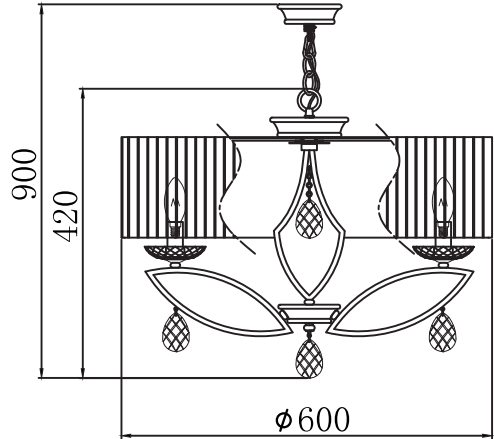
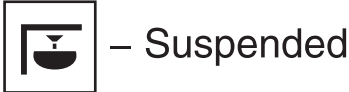
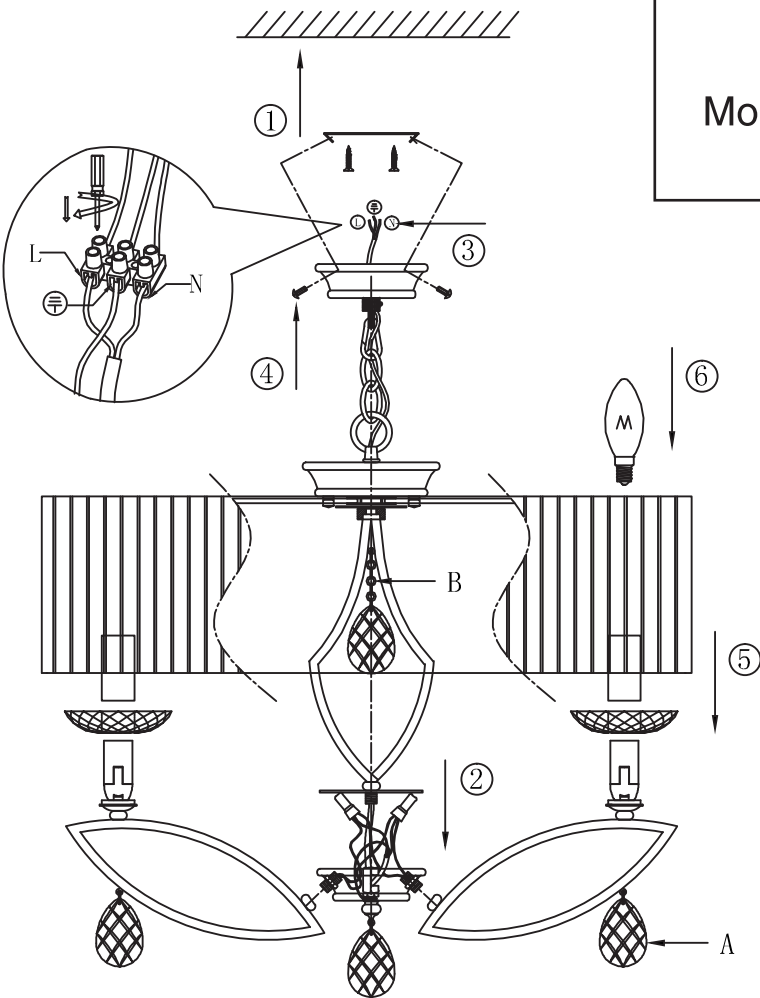



# Instruction

Collection: Modern  
Series: Miraggio  
Model: MOD602-06-N  
Suspended

A=7  
B=1



  
6 x E14 (40w)

**MAYTONI**  
DECORATIVE LIGHTING

[www.maytoni.de](http://www.maytoni.de)