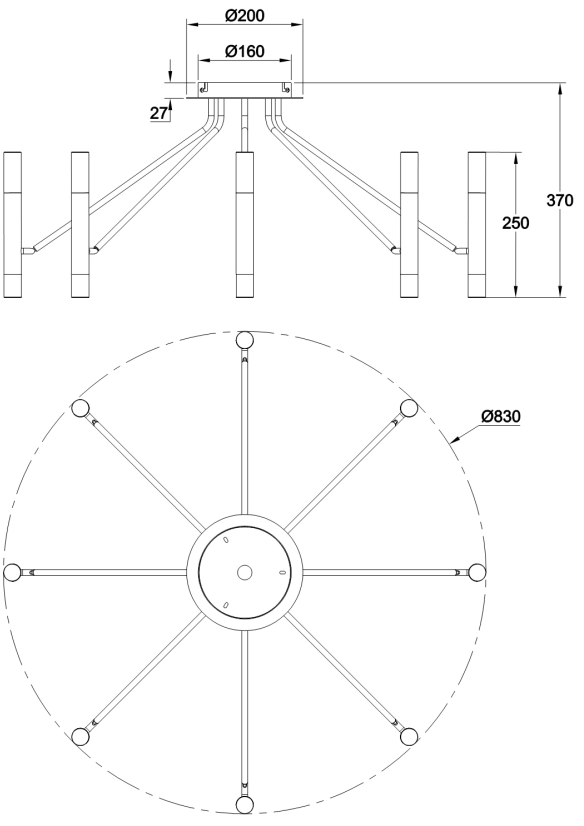
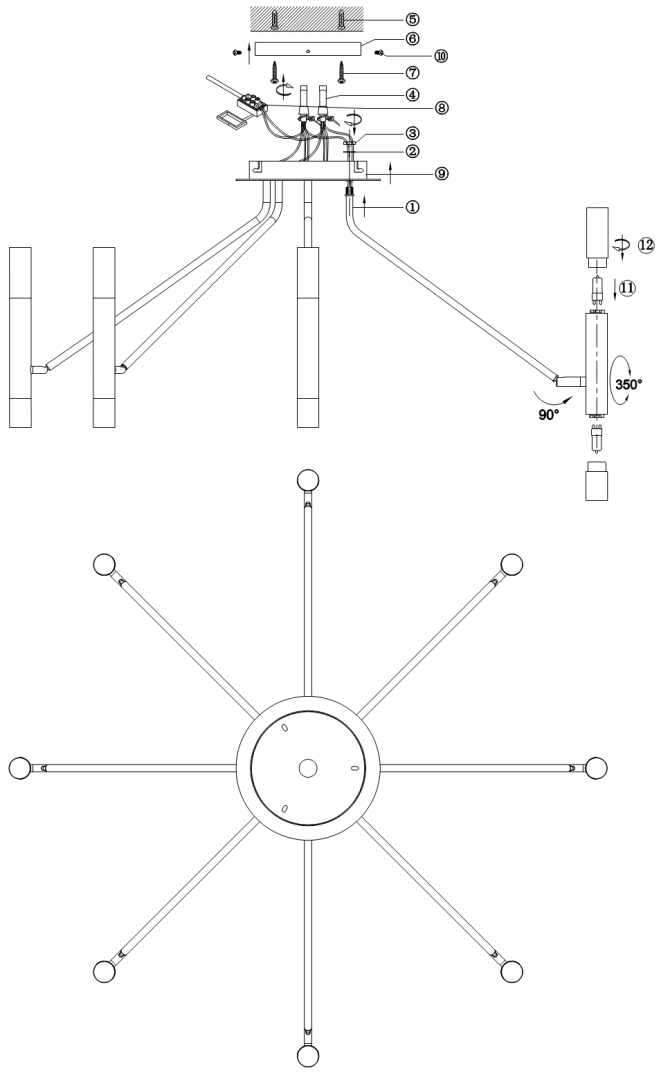



# Instruction

Collection: MODERN  
Series: VIGO  
Model: MOD620CL-16B  
Ceiling



  
16 x G9 (25W)

**MAYTONI**  
DECORATIVE LIGHTING  
[www.maytoni.de](http://www.maytoni.de)