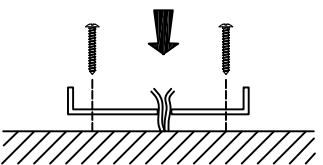


INSTALLATION INSTRUCTION

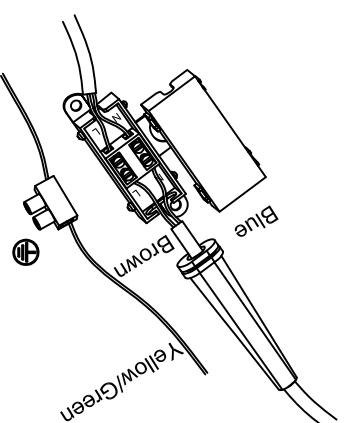
ODEON LIGHT art.2421/1W

220V-240V ~50Hz
E27 1xMax.60W

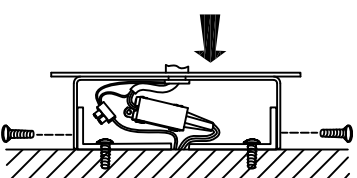
1



2



3



4

