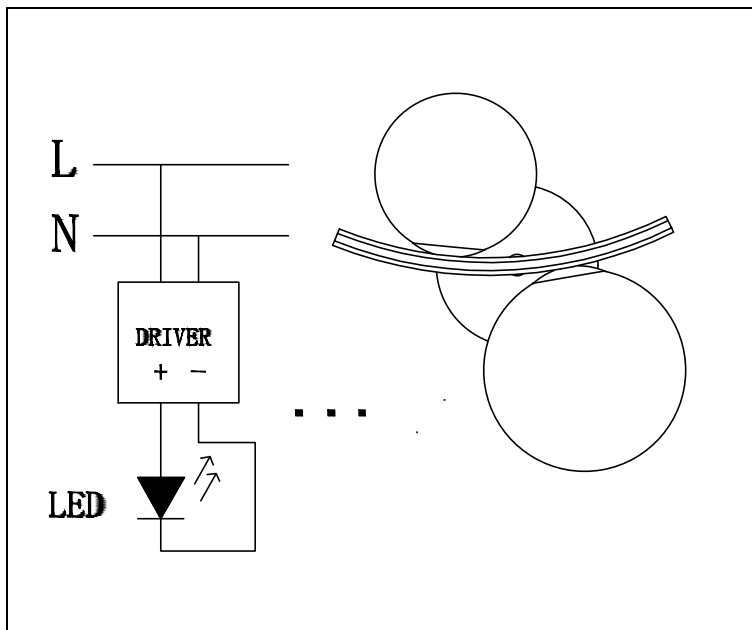
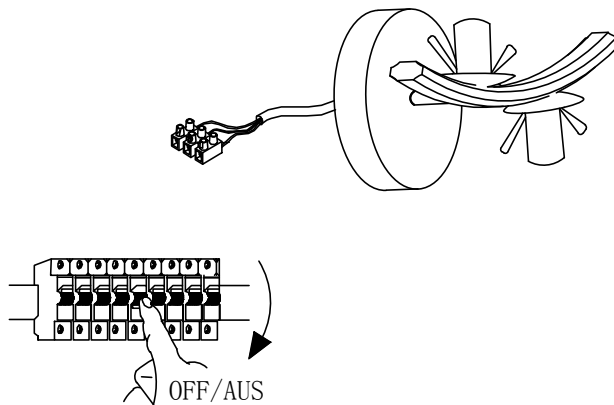


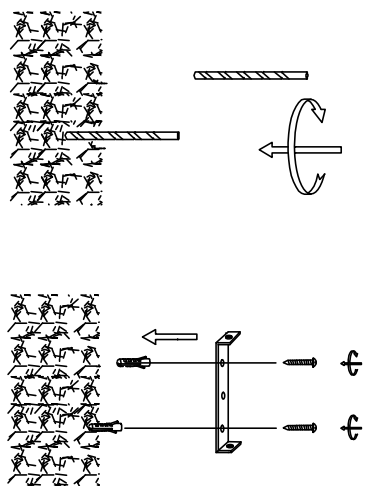
# Installation instruction Odeon Light collection MODERN 4267/2W



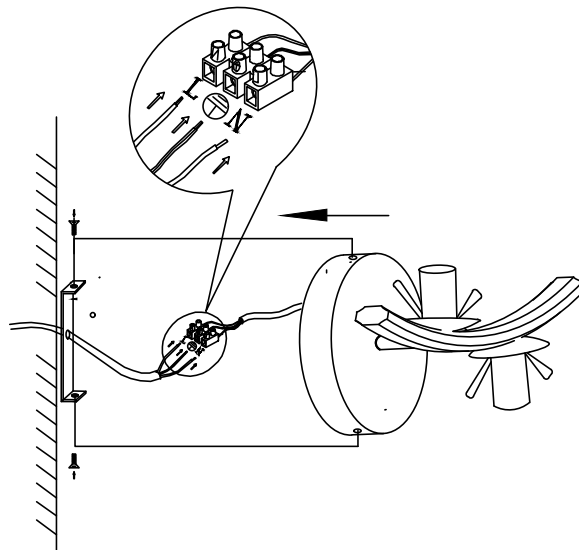
1



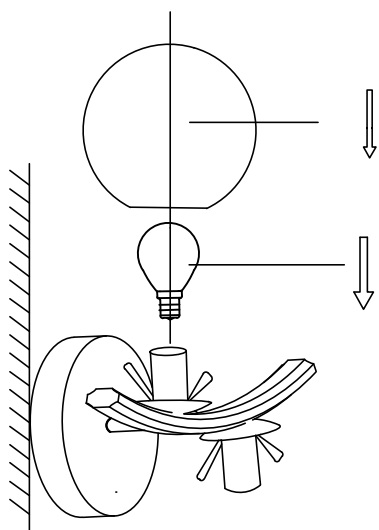
2



3



4



5

