

**Safety Instructions**

1,2,3,4,5,6,8,11,19,21,22,  
24,32,33,34



**Info Hotline**

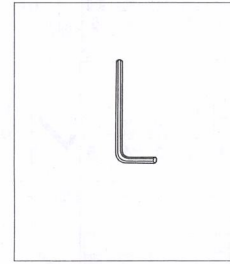
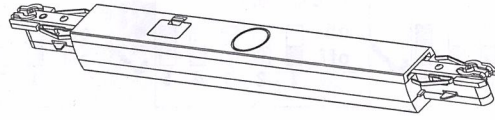


+49 (0) 5041 998 389  
Mon. - Do. 7<sup>00</sup> - 20<sup>00</sup>  
Fr. 7<sup>00</sup> - 17<sup>00</sup>

Paulmann Licht  
GmbH Quezinger  
Feld 2  
31832 Springe  
Germany

www.paulmann.com

Art.-Nr.: 976.53  
976.54



incl

(+MA326)PBO 10/16



**A**

**B**

**C**

**D**

Spot

Power supply

Power supply

Spot

IN

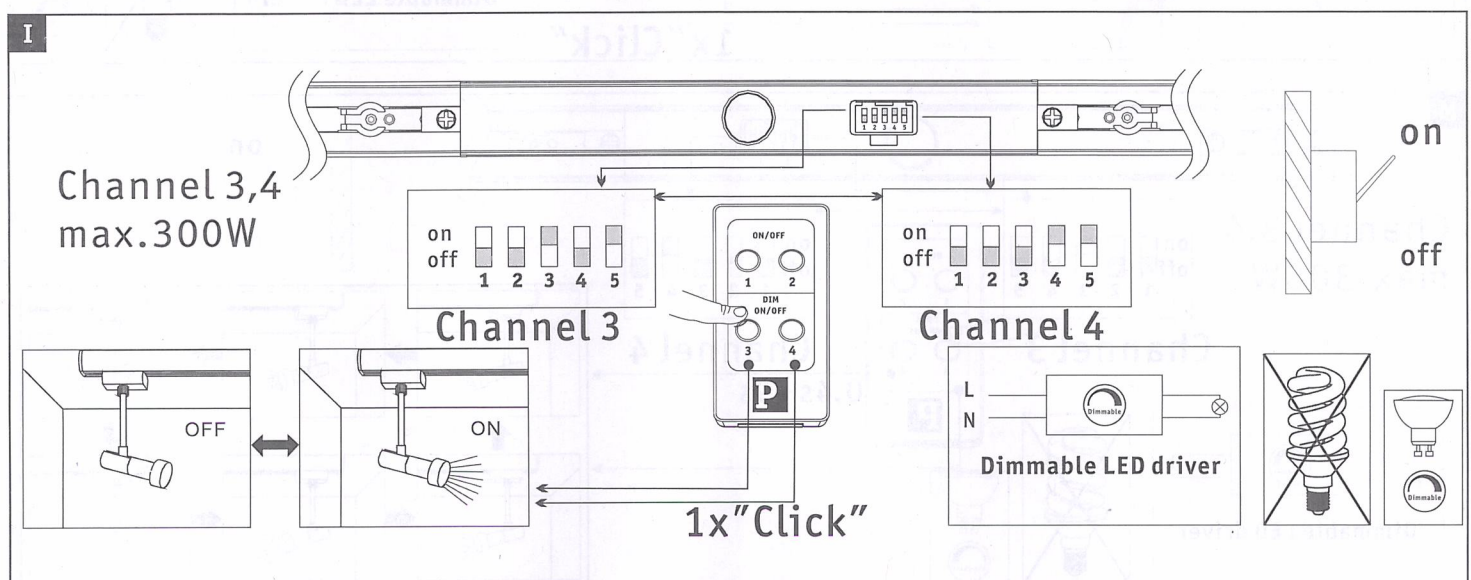
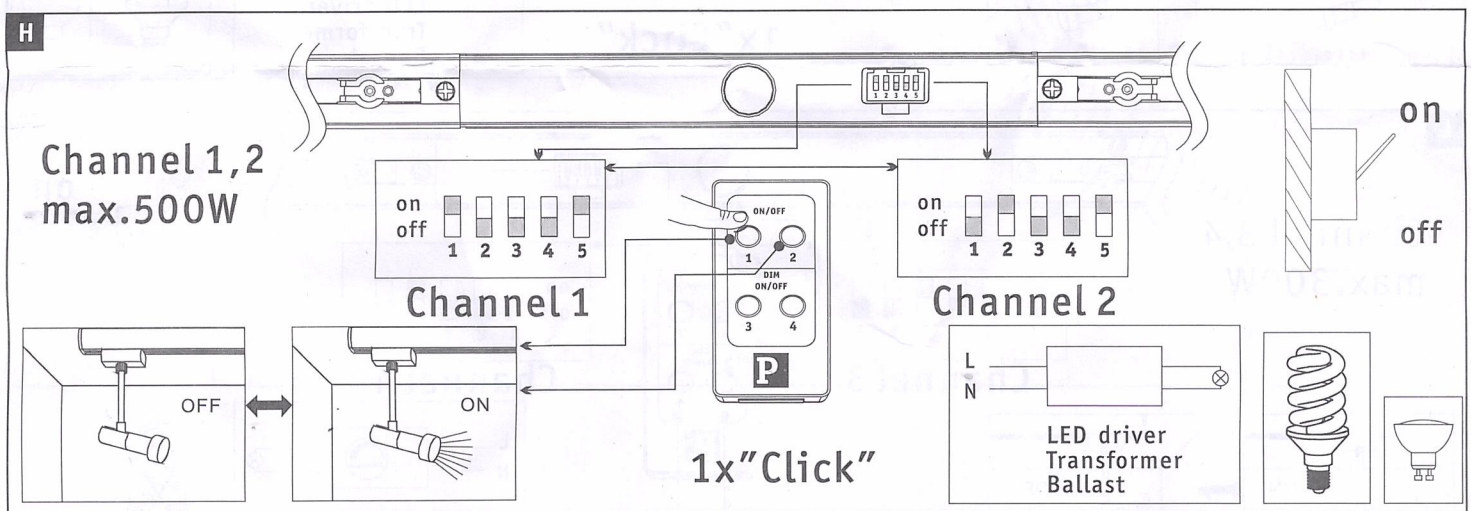
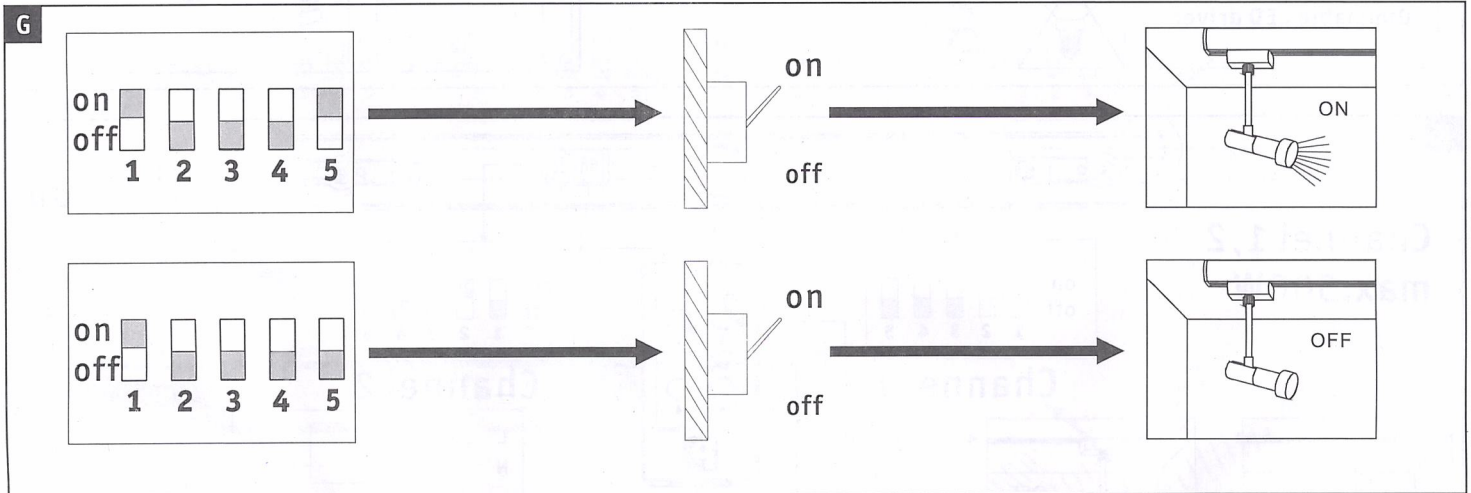
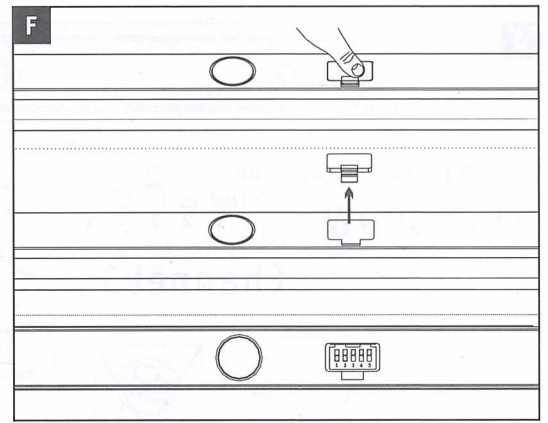
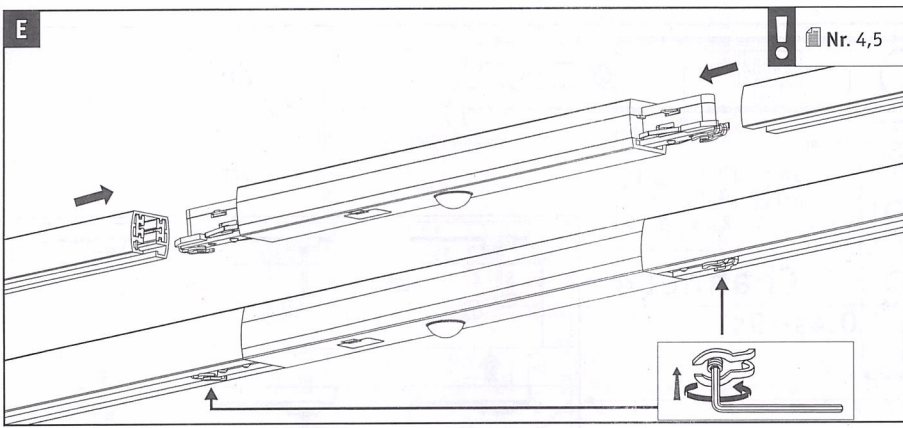
OUT

Power supply

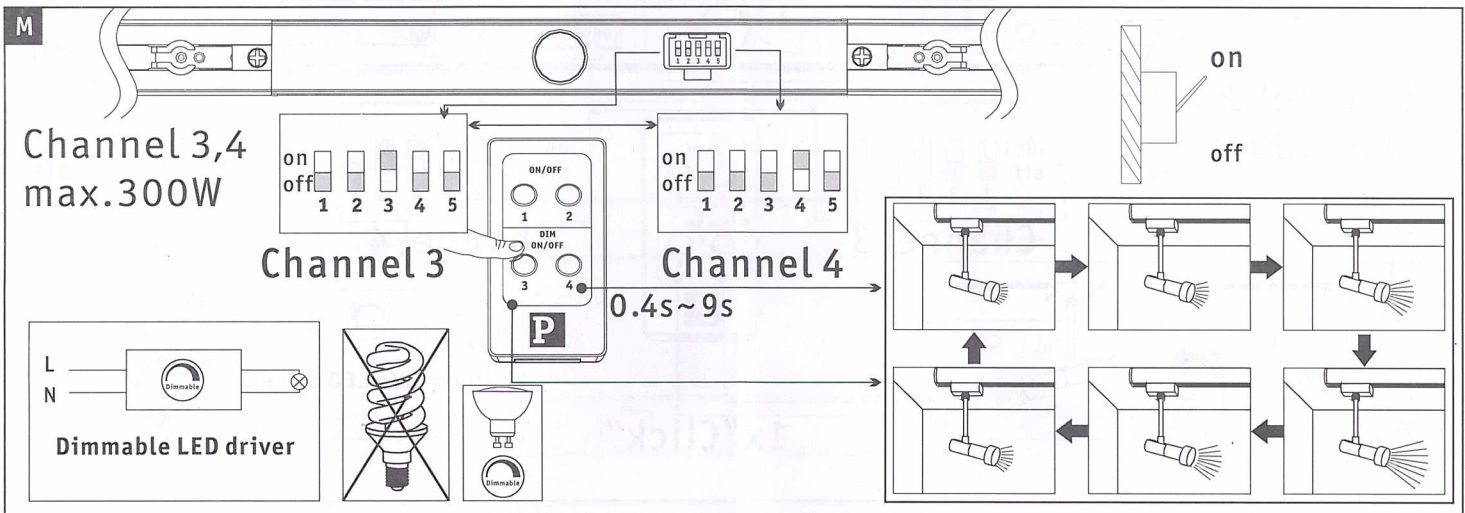
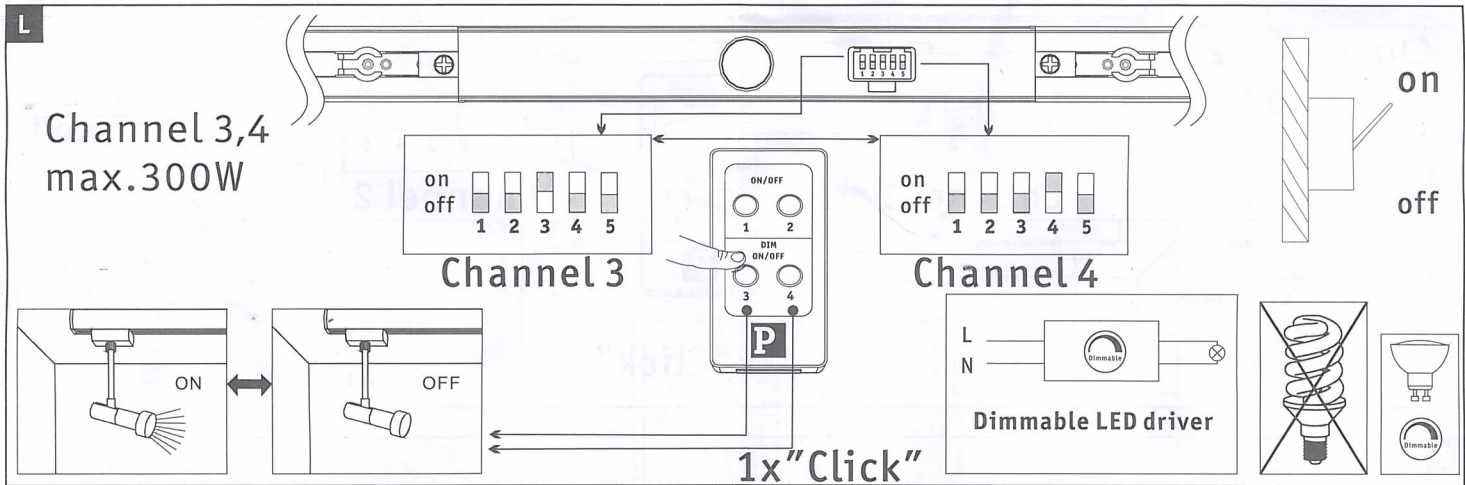
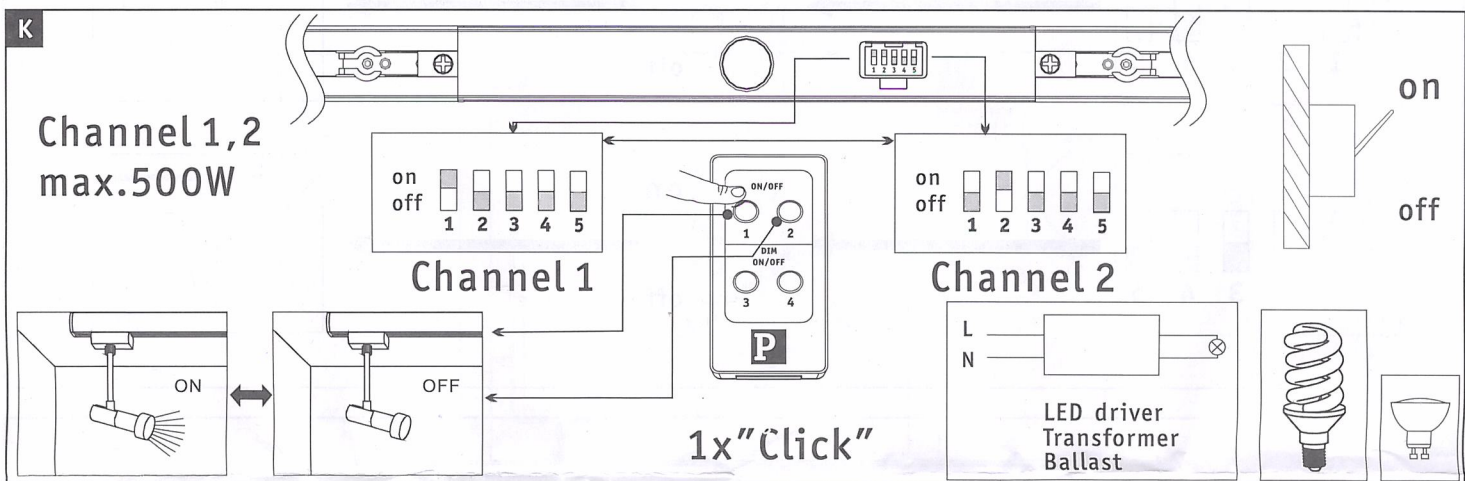
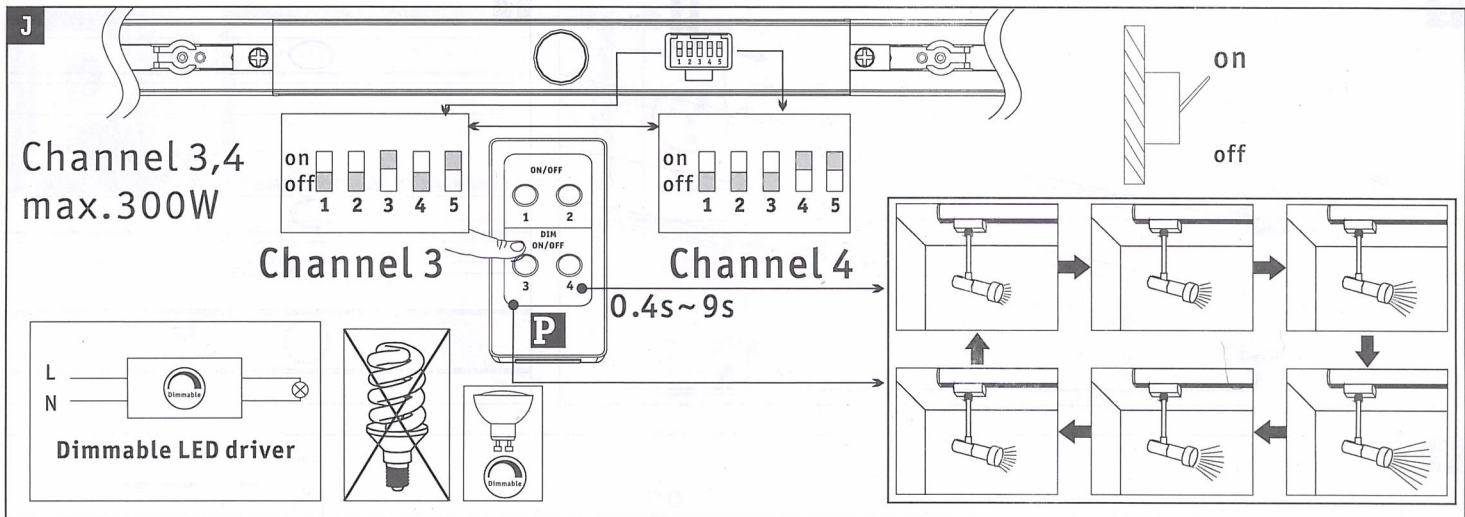
Spot

OUT

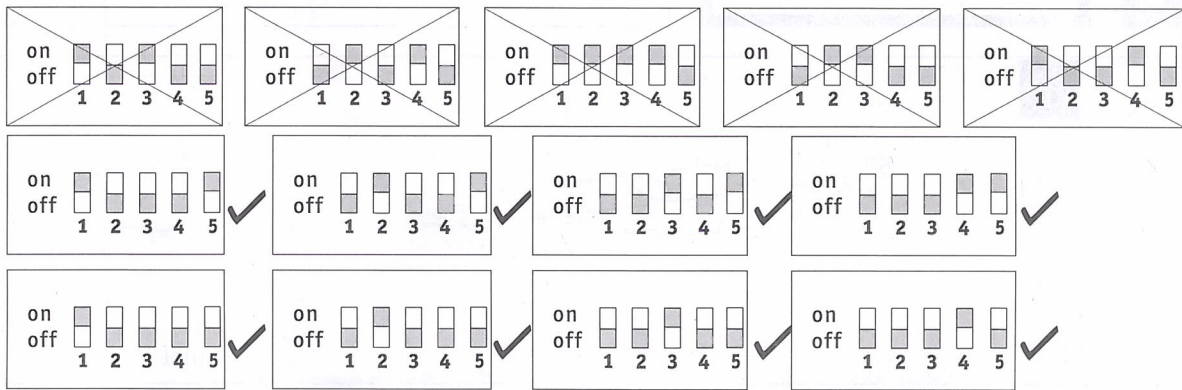
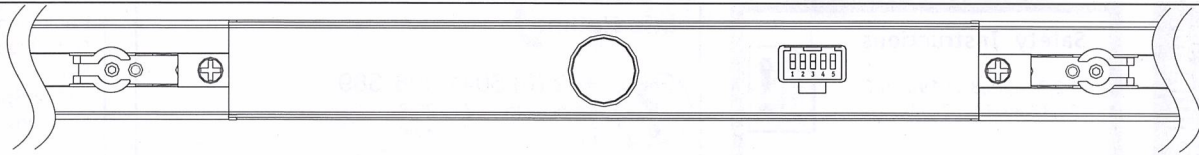
IN







N



0

