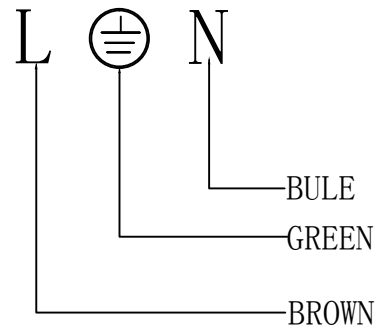
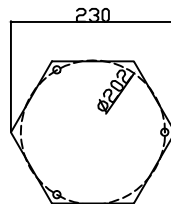
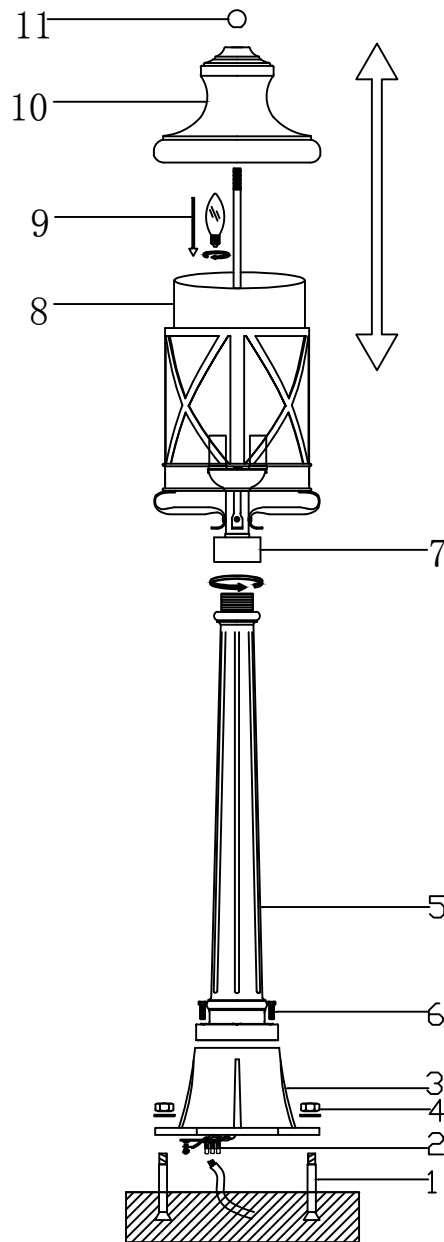
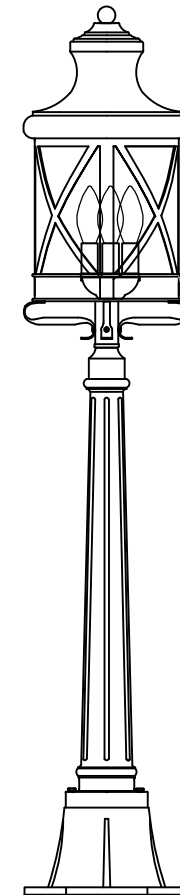



# INSTALLATION INSTRUCTION ODEON LIGHT NATURE 4045/3F



## Outdoor Ground lamp



 3 x E14(60w)